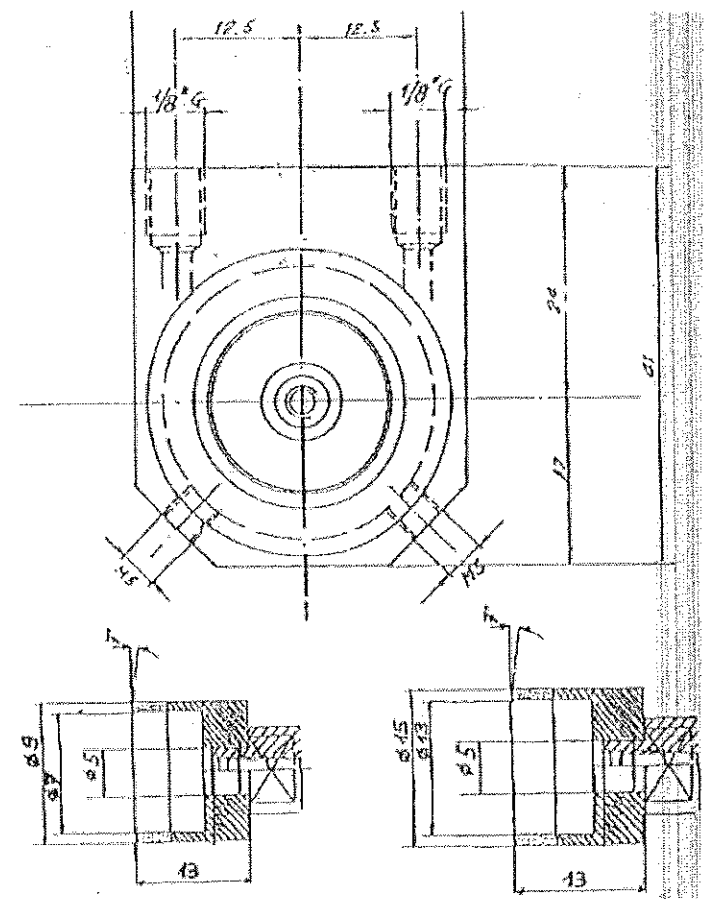
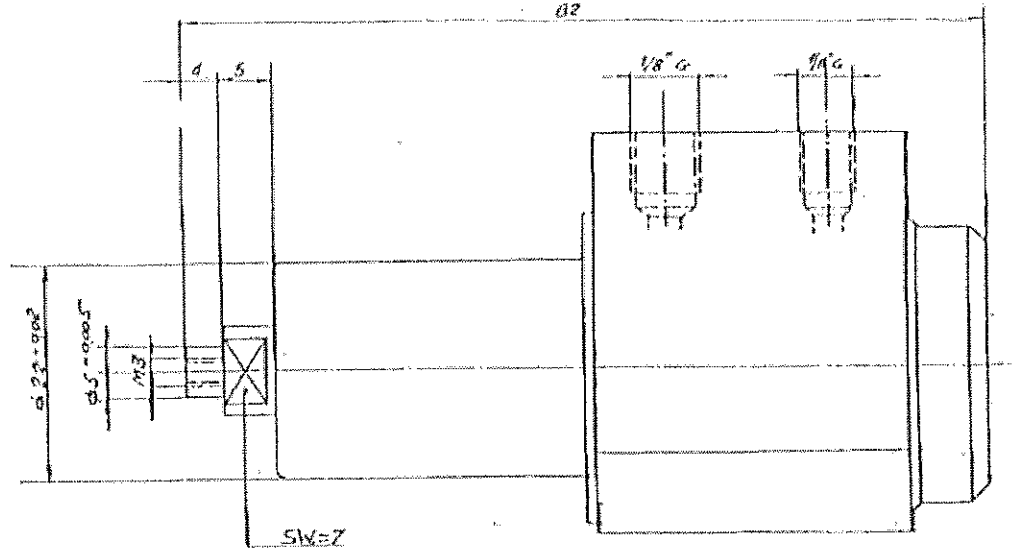
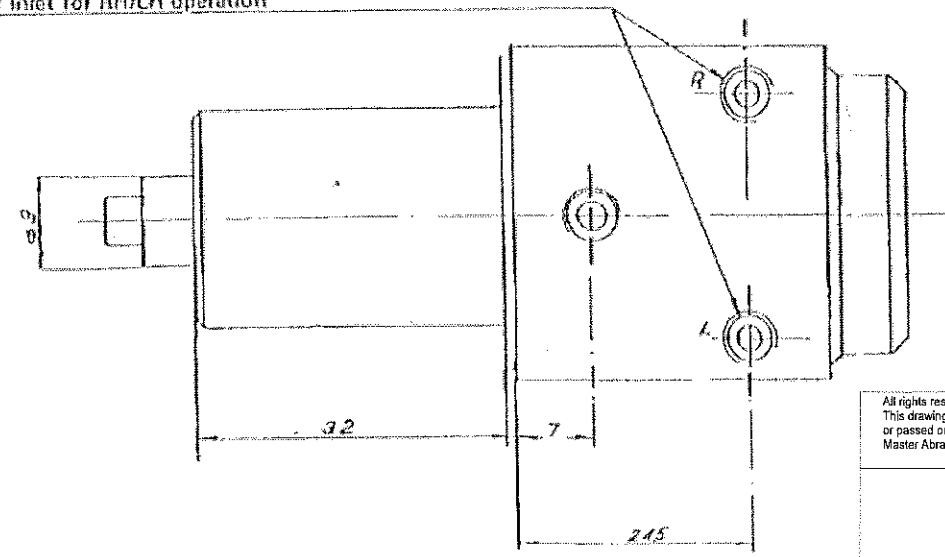


| Amendments | Date of change | Issue Letter | Change | Drawn by | Auth by |
|------------|----------------|--------------|--------|----------|---------|
| | | | | | |
| | | | | | |
| | | | | | |



RPM 30'000 at 2.0 bar
 Lubrication: oilmist 0.3 Bar (1 drop every 5 sec.) - Recommended oil MOBIL "VELOCITE E"
 Air inlet for RH/LH operation



| | | | | |
|------------------------------------------------------------------------------------------------------------------------------------------------------------------------|-----|-----------------------|----------------------------------------------------------------------|-------------------------------------|
| All rights reserved to Master Abrasives Ltd. This drawing or parts thereof must not be copied or passed on without the explicit permission of Master Abrasives Ltd. | | By XJO | Date 02/04/14 | MEIEX 1069 |
| Drawn Approved: | PJB | 02/04/14 | Wheel specification/description: Pneumatic Rotary Dressing System | |
| Master Abrasives Ltd Tel: 01327 703813 Fax: 01327 871617 | | | | Unspecified tolerances to ISO 2768m |
| Scale: | NTS | All dimensions in mm. | | |